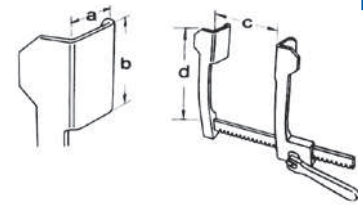


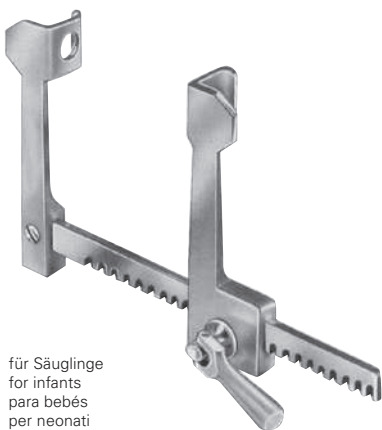
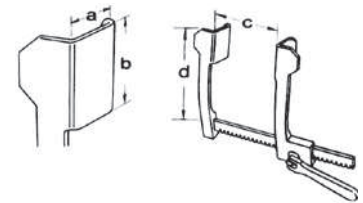
mit Fadenfänger  
 with suture separator  
 con sepeator de la sutura  
 con sepeator de suture

für Erwachsene  
 for adults  
 para adultos  
 per adulti



COOLEY

	a	b	c	d
<b>30-204-20</b>	35,0 mm	100,0 mm	180,0 mm	180,0 mm



für Säuglinge  
 for infants  
 para bebés  
 per neonati

FINOCHIETTO



	a	b	c	d
<b>30-205-00</b>	12,0 mm	15,0 mm	70,0 mm	55,0 mm
<b>30-205-01</b>	12,0 mm	15,0 mm	100,0 mm	55,0 mm